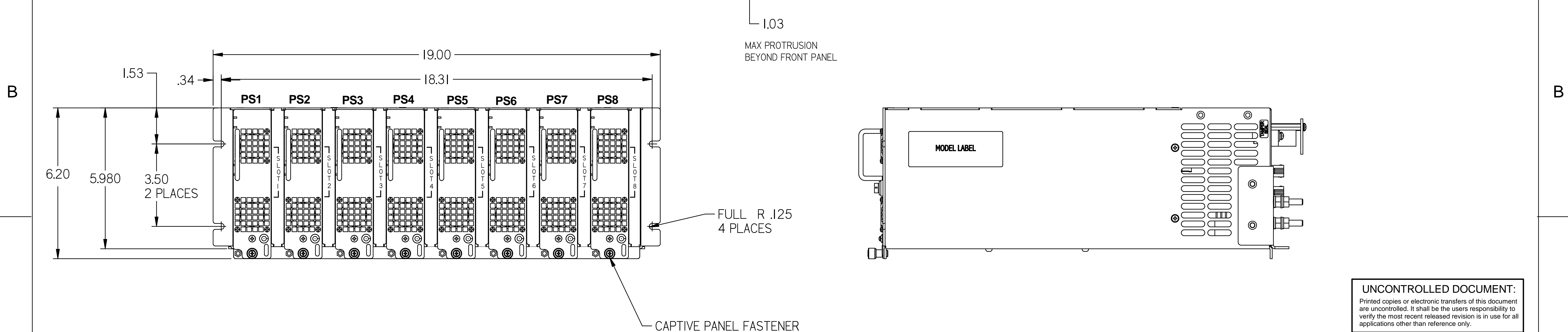
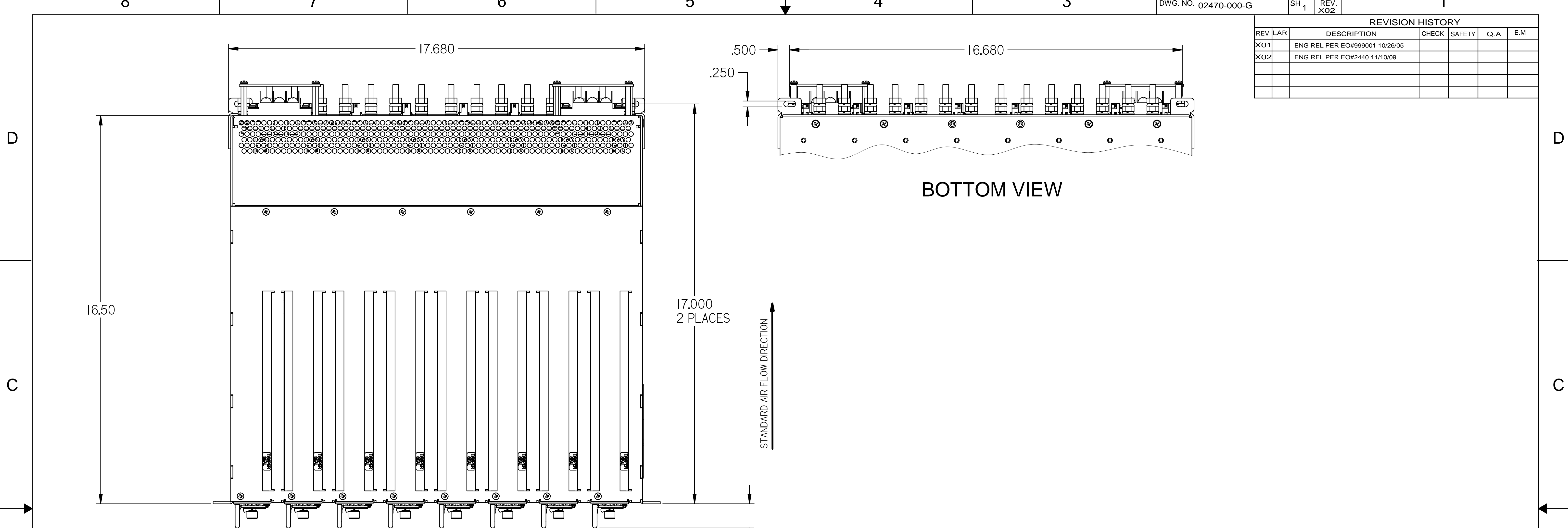


REVISION HISTORY						
REV	LAR	DESCRIPTION	CHECK	SAFETY	Q.A	E.M
X01		ENG REL PER EO#999001 10/26/05				
X02		ENG REL PER EO#2440 11/10/09				



UNCONTROLLED DOCUMENT:
 Printed copies or electronic transfers of this document are uncontrolled. It shall be the users responsibility to verify the most recent released revision is in use for all applications other than reference only.

- 3. METRIC DIMENSIONS ARE IN ().
- 2. SOME VIEWS ARE OMITTED FOR CLARITY.
- 1. THIS POWER SUPPLY COMPLIES WITH THE CURRENT EU ROHS DIRECTIVE REQUIREMENTS.

NOTES: UNLESS OTHERWISE SPECIFIED.

ALL SIGNATURES MUST BE DATED AND IN INK ONLY.		THE INFORMATION HEREON IS THE PROPERTY OF JASPER ELECTRONICS. TRANSMITTAL, RECEIPT OR POSSESSION OF THE INFORMATION DOES NOT COMPLY, LICENSE, OR IMPLY ANY RIGHTS TO USE, SELL, OR MANUFACTURE FROM THIS INFORMATION AND NO REPRODUCTION OR PUBLICATION OF IT, IN WHOLE OR PART, SHALL BE MADE WITHOUT WRITTEN AUTHORIZATION FROM JASPER ELECTRONICS.		LIST OF MATERIALS	
SIMILAR TO: 03229-001	THIRD ANGLE PROJECTION	APPROVALS	DATE	JASPER ELECTRONICS	
		DRAWN BY: A. MCKENZIE	10/05	DRAWING TITLE	
		CHECKED BY:		OUTLINE CONFIGURATION	
		ELEC. ENGINEER		SINGLE O/P 8 BAY HTL SERIES	
		MECH. DESIGNER		3200W RACK	
		SAFETY		SIZE	FSCM NO.
		Q.A		D	
NEXT ASSY	USED ON	FILE NAME	DATE	DWG. NO.	LAR
		02470GX1		02470-000-G	X01
				SCALE: 1/1	PROD. CODE: SHT 1 OF 2