

REVISION HISTORY						
REV	LAR	DESCRIPTION	CHECK	SAFETY	Q.A	E.M
X01	-	ENGINEERING RELEASE 05/05				

D

C

B

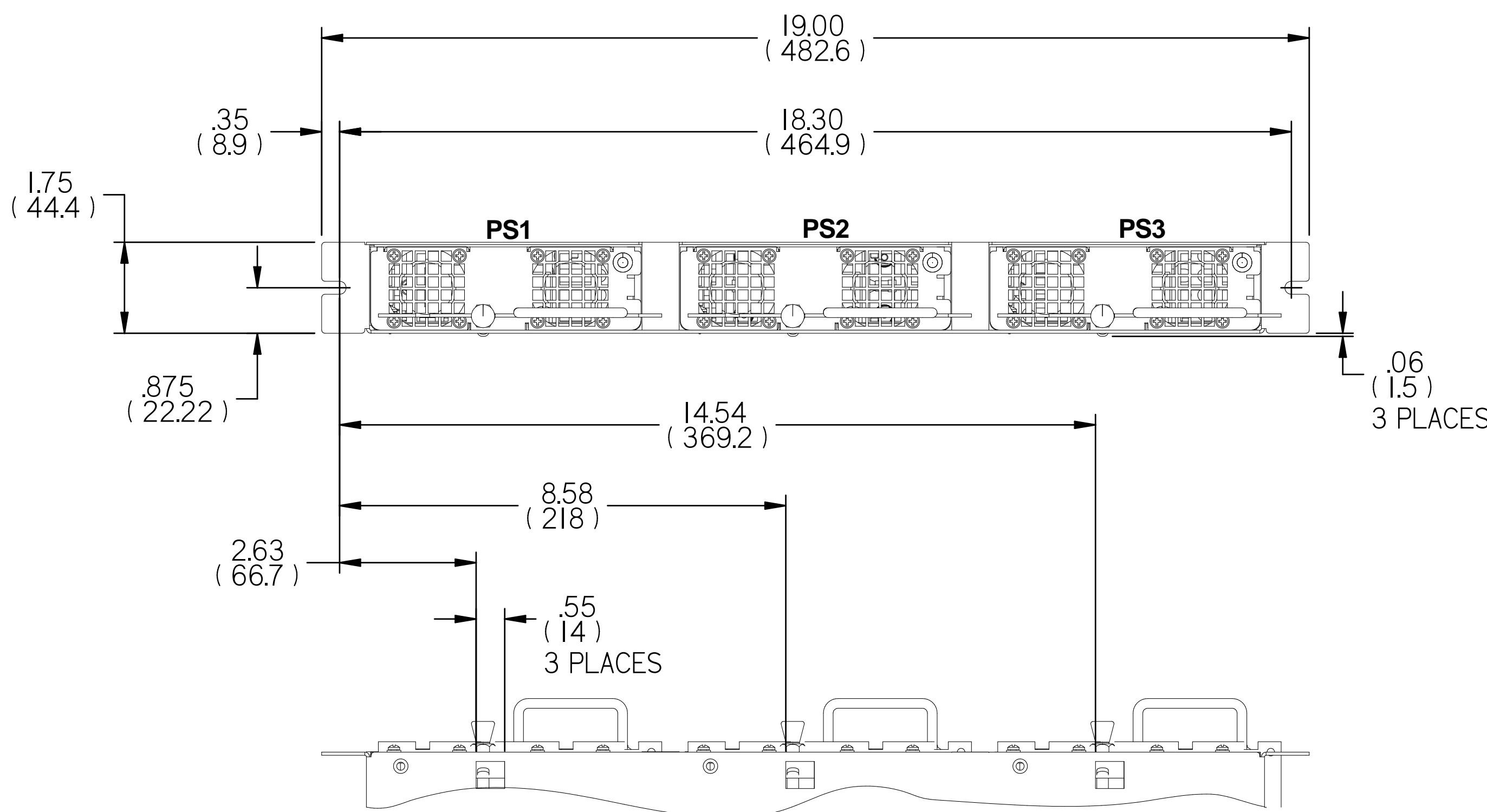
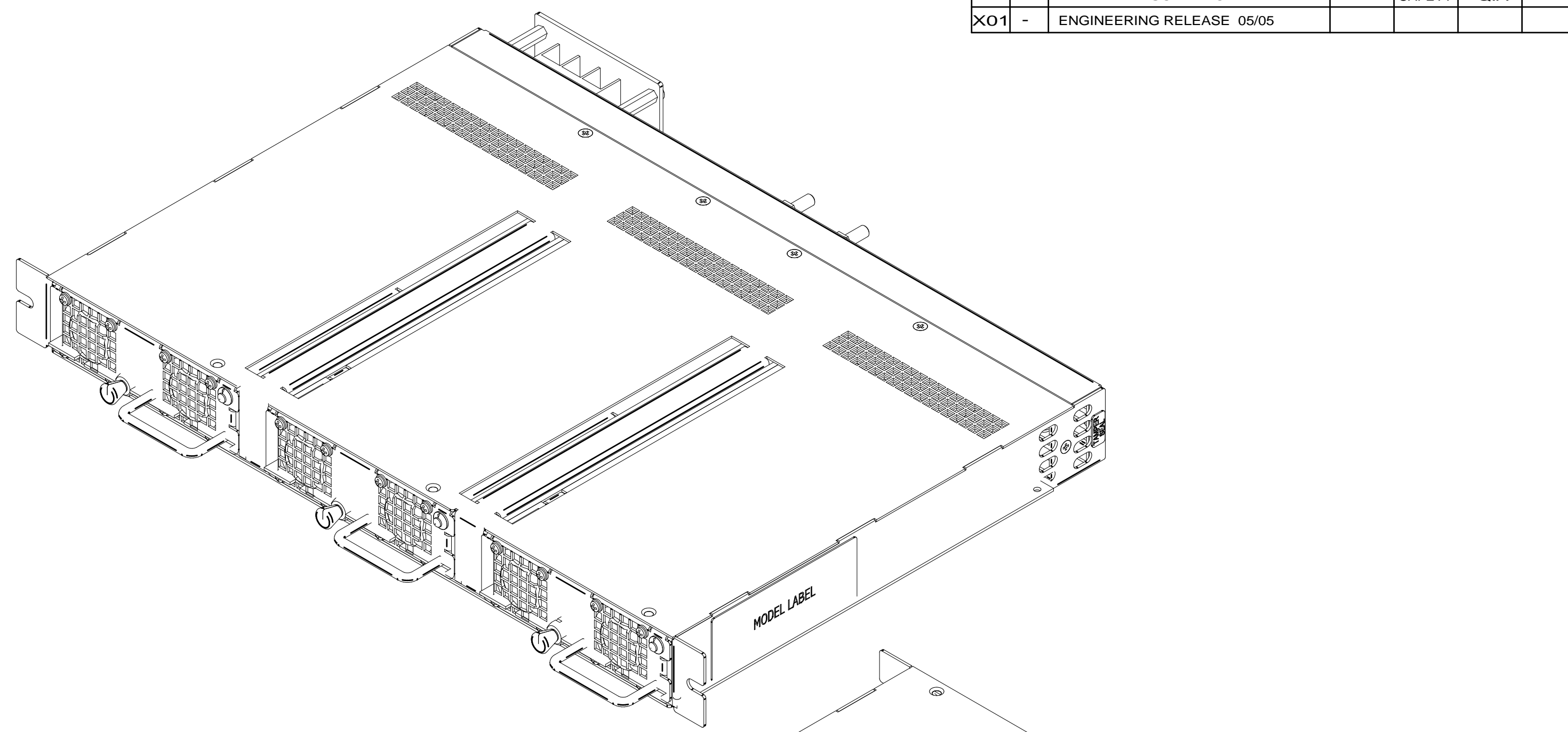
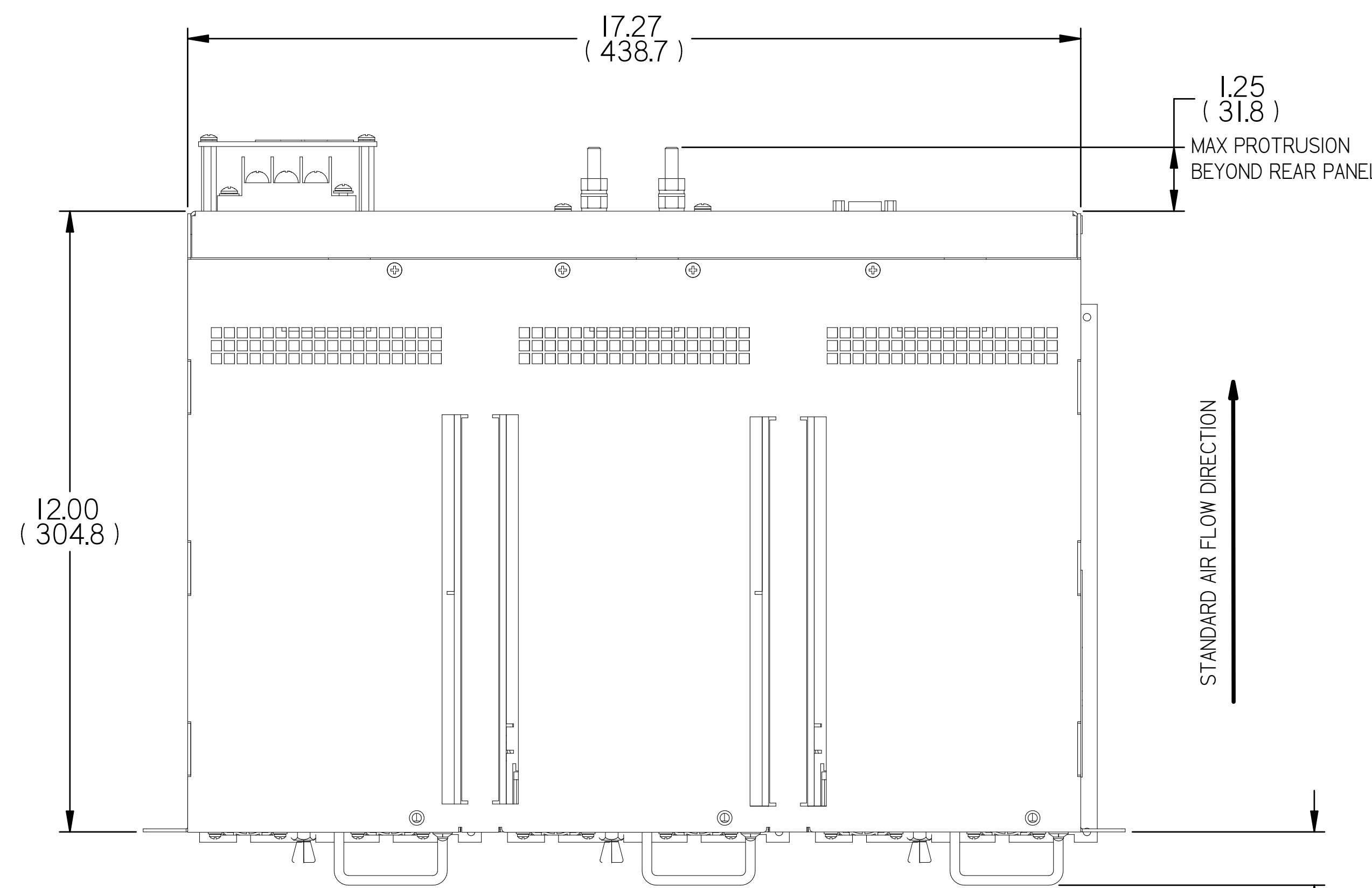
A

D

C

B

A



1.03 (26.2)
MAX PROTRUSION
BEYOND FRONT PANEL

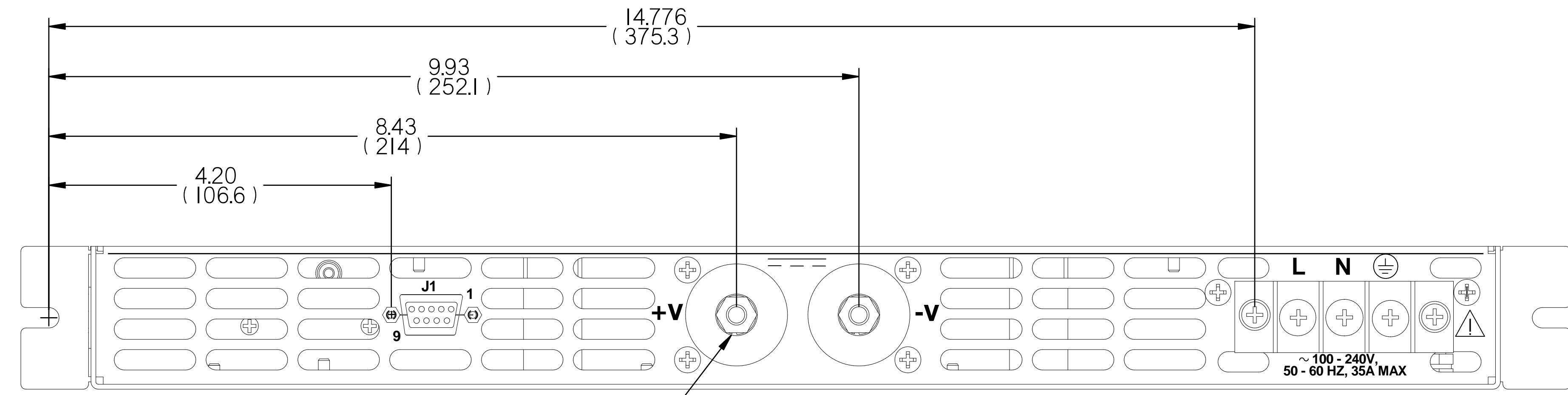


UNCONTROLLED DOCUMENT:
Printed copies or electronic transfers of this document are uncontrolled. It shall be the users responsibility to verify the most recent released revision is in use for all applications other than reference only.

1. METRIC DIMENSIONS ARE IN ().
NOTES: UNLESS OTHERWISE SPECIFIED.

ALL SIGNATURES MUST BE DATED AND IN INK ONLY.		THE INFORMATION HEREON IS THE PROPERTY OF JASPER ELECTRONICS. TRANSMITTAL, RECEIPT OR POSSESSION OF THE INFORMATION DOES NOT COMPLY, LICENSE, OR IMPLY ANY RIGHTS TO USE, SELL, OR MANUFACTURE FROM THIS INFORMATION.		LIST OF MATERIALS													
SIMILAR TO: 02668-000		PUBLICATION OF IT, IN WHOLE OR PART, SHALL BE MADE WITHOUT WRITTEN AUTHORIZATION FROM JASPER ELECTRONICS.		APPROVALS													
THIRD ANGLE PROJECTION		TOLERANCE		DRAWN BY: A MCKENZIE DATE: 08/01													
		<table border="1"> <tr> <th>XX</th> <th>.XXX</th> <th>ANGLE</th> </tr> <tr> <td>±.02</td> <td>±.010</td> <td>±0°30'</td> </tr> </table>		XX	.XXX	ANGLE	±.02	±.010	±0°30'	CHECKED BY: A MCKENZIE DATE: 08/01							
		XX	.XXX	ANGLE													
±.02	±.010	±0°30'															
<table border="1"> <tr> <th>FILE NAME</th> <th>DATE</th> </tr> <tr> <td>032511X01</td> <td></td> </tr> </table>		FILE NAME	DATE	032511X01		<table border="1"> <tr> <th>MECH. DESIGNER</th> <th>DATE</th> </tr> <tr> <td>A MCKENZIE</td> <td>08/01</td> </tr> </table>		MECH. DESIGNER	DATE	A MCKENZIE	08/01	<table border="1"> <tr> <th>SAFETY</th> <th>DATE</th> </tr> <tr> <td></td> <td></td> </tr> </table>		SAFETY	DATE		
FILE NAME	DATE																
032511X01																	
MECH. DESIGNER	DATE																
A MCKENZIE	08/01																
SAFETY	DATE																
03250- HML		G.A.		DRAWING TITLE													
NEXT ASSY USED ON		FILE NAME		JASPER ELECTRONICS													
		032511X01		RPS-31 RACK, 2400W, 3 BAY HML SINGLE O/P													
				DRAWING TITLE													
				RPS-31 RACK, 2400W, 3 BAY HML SINGLE O/P													
				SIZE: D													
				FSCM NO.:													
				DWG. NO. 03251-001													
				LAR: -													
				REV: X01													
				SCALE: 1/1													
				PROD. CODE: SHT 1 OF 2													

REVISION HISTORY					
REV	LAR	DESCRIPTION	CHECK	SAFETY	E.M
X01	-	SEE SHEET 1			



1/4-20 STUD
2 PLACES

REAR PANEL

**J1 CONNECTOR
(9 POSITION "D" SUB)
AMP PART NO. 205203-3**

PIN	SIGNAL
1	N/U
2	PF #1
3	PF #2
4	PF #3
5	SIGNAL GND
6	N/U
7	N/U
8	N/U
9	N/U

UNCONTROLLED DOCUMENT:
Printed copies or electronic transfers of this document are uncontrolled. It shall be the users responsibility to verify the most recent released revision is in use for all applications other than reference only.

SIZE	FSCM NO.	DWG. NO.	LAR	REV
D		03251-001	-	X01
SCALE: 1/1		PROD. CODE:	SHT 2 OF 2	