

JASPER ELECTRONICS

*Innovative Specialty
DC Power Systems*

0-6Watt Universal Input Wall Mount Adapter

6 Watts



GENERAL OVERVIEW

Jasper's External Power Supplies are available from 5W-150W, with single and multiple outputs. Fixed and detachable I/O cords are available, as are Standard and Custom configuration models. Please feel free to contact us for any further information about your application so we can offer a solution!

FEATURES INCLUDE:

- FCC CUL Certificate
- DoE VI
- 0-6 Watt Output Power
- Overcurrent Protection
- Short Circuit Protection
- Input Protection
- RoHS Compliant

SAFETIES AND APPROVALS

- FCC
- cUL

OUTPUT RANGE

- SAW06D-XXX-YYYYUB, XXX is 5-24V, YYYY is 100mA-1200mA, Max power is 6 Watt.

CONTACT

1580 No. Kellogg Dr.
Anaheim, California, 92807

(714) 917-0749

www.jasperelectronics.com
sales@jasperelectronics.com



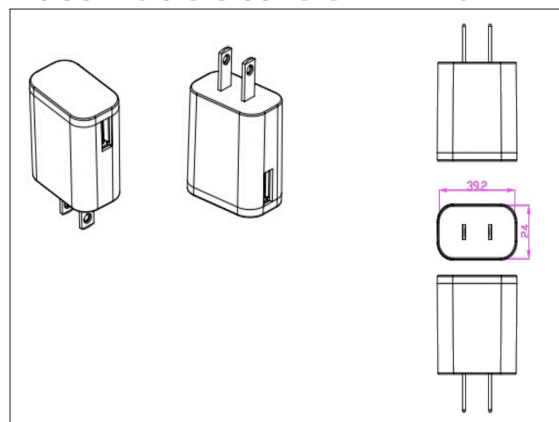
Rev A-February-20-2023

ELECTRICAL SPECIFICATIONS	
All specifications are typical at nominal input, full load	
INPUT SPECIFICATIONS	
Input Voltage	90-264VAC
Input Frequency	47-63Hz
Input Current	1.2A Max
Inrush Current	40A Max
OUTPUT SPECIFICATIONS	
Output Voltage Range	5-24V
Output Current Range	100-1200mA
Output Power Range	0-6W
Short Circuit Protection	2A Inner Current Fuse
Over-Current Protection	Automatic Recovery
Ripple and Noise	100mVp-p max
Turn On Time	3S max
Line Regulation	1% max
Output Regulation	±5%
GENERAL SPECIFICATIONS	
Insulation Resistance Primary to Secondary	50MΩ Min
Efficiency	Level VI
Standby Power	0.1W Max
Leakage Current	0.25mA Max
ENVIRONMENTAL SPECIFICATIONS	
Operating Temperature	0°C-40°C
Cooling	Convection
Temperature Coefficient	0.05%/°C
Humidity	5-95% Rh, noncondensing
Storage Temperature	-20°C- +80°C
PHYSICAL SPECIFICATIONS	
Dimensions	42mm x 38.7mm x 23.7mm

*Specifications subject to change without notice.

MODEL CHART				
Typical Model	Output Voltage	Output Current	Ripple and Noise	Efficiency
SAW06D-050-0500UB	5V	500mA	150mv	VI
SAW06D-050-1000UB	5V	1000mA	150mv	VI

HOUSING & DC CORD DRAWING



INNOVATIVE SPECIALTY DC POWER SYSTEMS

Standard and Custom Power Supplies from 5W to 10KW

TRAFFIC CONTROL POWER SUPPLIES



- 70-400+ Watts / 120 and 220 VAC Models Available
- CALTRANS TEES, NYSDOT, CDOT, GDOT Compliant for 332, 334, 336, 342, 344, and 346 Series cabinets
- RoHS and NEMA Compliant
- Custom labeling and barcoding available
- Ruggedization against shock / vibration / humidity available

CUSTOM POWER DISTRIBUTION ASSEMBLIES (PDAs)



- Compliant with TEES 2020
- 1U smaller than the PDA2-LX and PDA3-LX
- User accessible slots as specified
- Custom labeling and barcoding available
- Ruggedization against shock / vibration / humidity available

COMPACT PCI



- AC or DC input, 175W - 500W DC output, active PFC
- 3U x 8HP, 6U x 8HP sizes
- PICMG 2.11 compliant, UL/CSA, NEMKO/TUV/CE certified, ROHS compliant
- Ruggedization against shock/ vibration/ humidity optional

Primary Applications: Industrial Computing, Military, Satellite Comm, Test, Transportation, Telecom, Aerospace

SPECIALTY HOT-SWAPPABLE POWER SUPPLIES



- 200-1500W, Universal Input, 5-54VDC Output
- Hot Swap. N+1, 90+% Efficiency
- 1U Form Factors
- 30+ Variations for Various Applications Including Nuclear
- Ruggedization against shock/ vibration/ humidity optional

Primary Applications: Medical Equipment, Military, Test, Automotive, Computing, Audio, Sensitive Electronics

RACK POWER SYSTEMS



- 200W-1500W, 2-8 slots, single or mixed output voltages, up to 10KW total
- Single, dual, or individual unit AC or DC input
- Internally or externally redundant DC outputs
- Standard 19" and 23" size or user-specified configurations also available
- Ruggedization against shock/ vibration/ humidity optional

Primary Applications: Medical Equipment, Military, Test, Automotive, Computing, Audio, Sensitive Electronics

CUSTOMS & MODIFIED STANDARDS



- 75W-2KW
- Single to 7 outputs
- Designed and built to custom or semi-custom specifications
- Ruggedization against shock/ vibration/ humidity optional
- Custom electrical specs, chassis, paint, labeling, connectors, interface all available

Primary Applications: Medical Equipment, Military, Test, Automotive, Computing, Audio, Sensitive Electronics

LOW NOISE CONVECTION / CONDUCTION COOLED POWER SUPPLIES



- 200W-500W, 90—264VAC full range input with 12-54 VDC Output
- Wide operating temperature range / high efficiency
- Small form factors
- Ruggedization against shock/ vibration/ humidity optional

Primary Applications: Medical Equipment, Military, IT, Sensitive Electronics

MEDICAL ADAPTERS



- 6W-250W, Efficiency levels V & VI
- Desktop, Wall-mount, and Interchangeable AC plug types
- Large selection of output connectors – additional cable lengths available
- UL60601 (medical) approved adapters available
- Ruggedization against shock/ vibration/ humidity optional

